

6

5

4

3

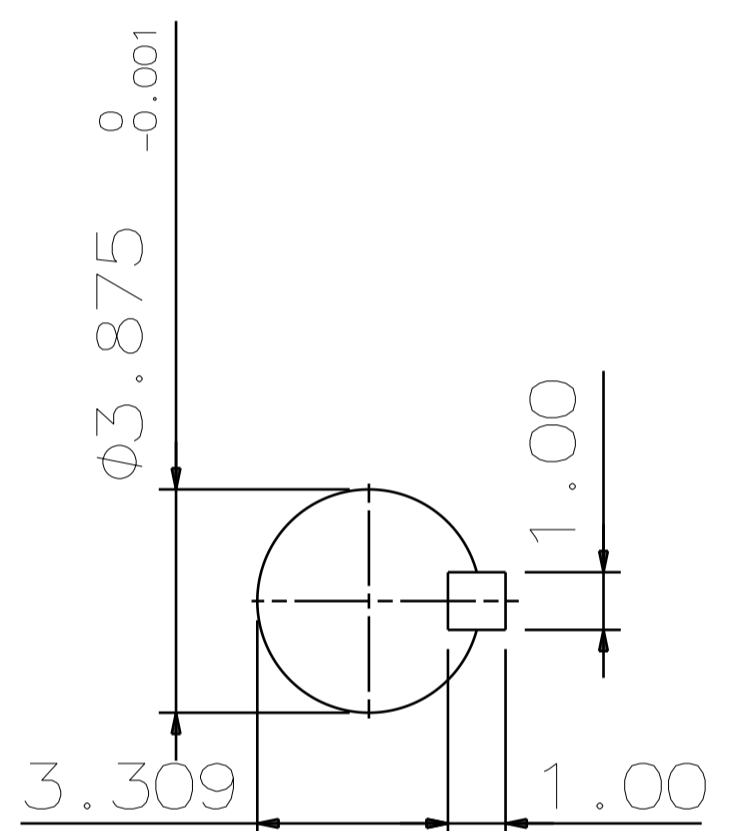
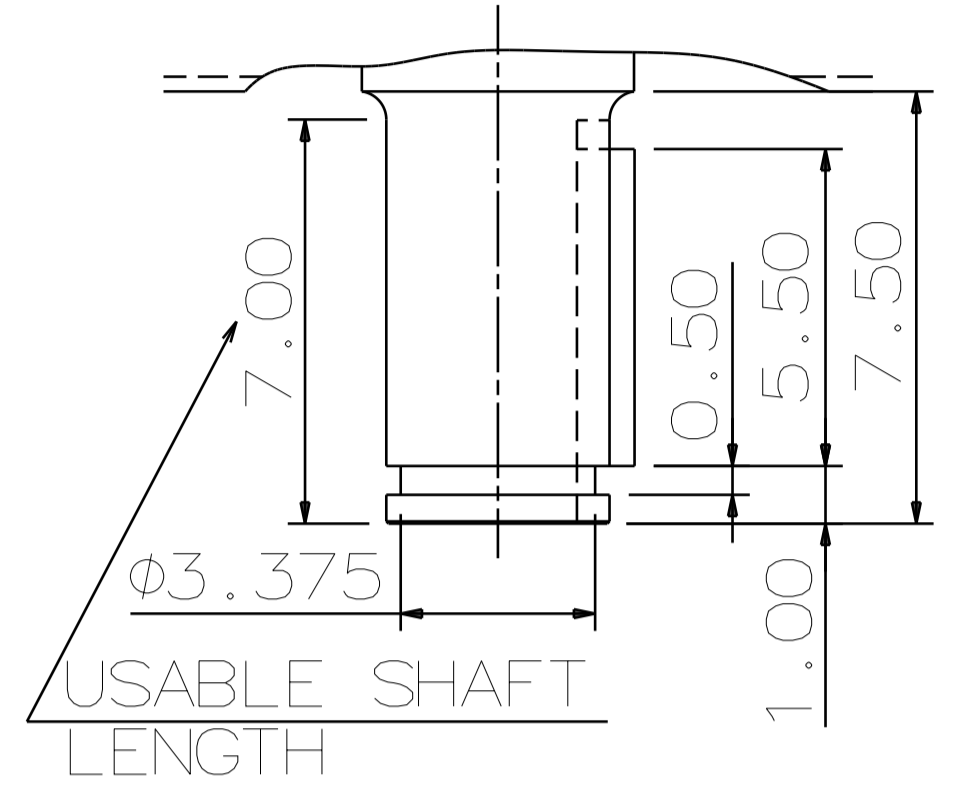
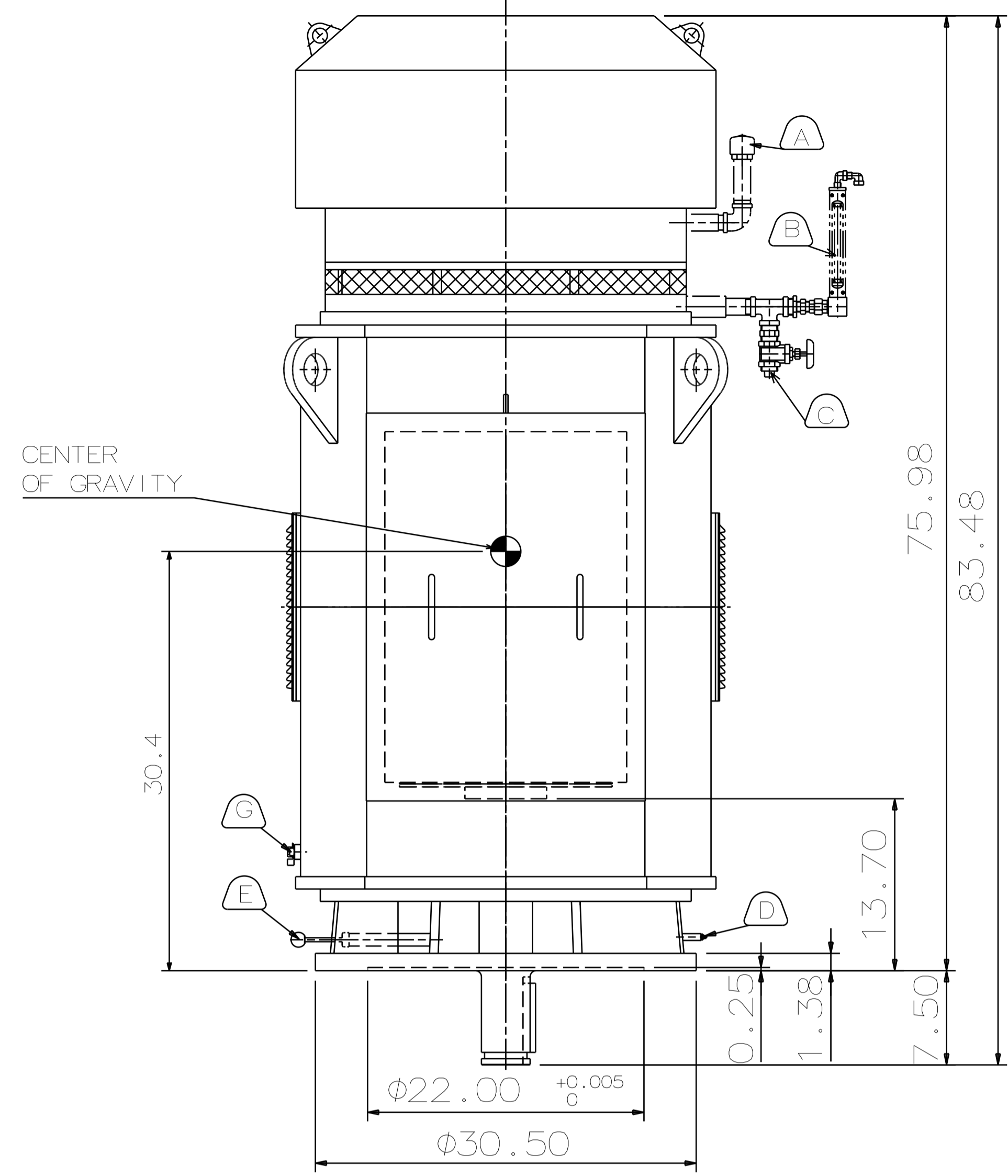
2

1

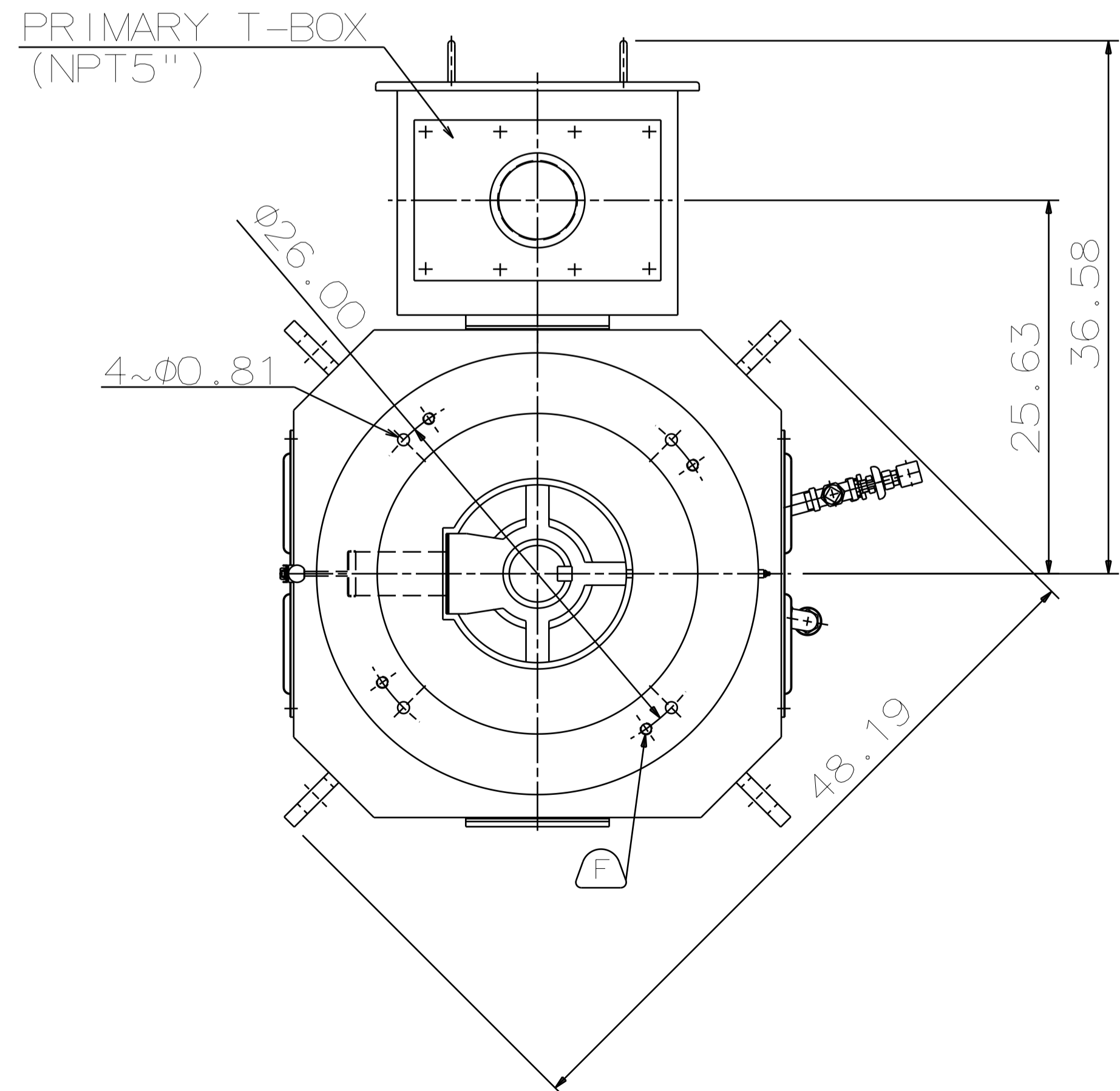
TYPE	OUTPUT		POLE	TIME RATING	VOLTAGE V	Hz	SYN. SPEED R.P.M
	HP.	kW.					
AMRKED	700	522	4	CONT	2300/4000	60	1800

ENCLOSED VENTILATED VERTICAL SOLID SHAFT TYPE, SQUIRREL CAGE ROTOR
NEMA WEATHER PROTECTED TYPE 1

- NOTE:
- DIMENSIONS IN INCH
 - FRAME NO.5810
 - F CLASS INSULATION, S.F. 1.15
 - FOR DIRECT COUPLING
 - BEARING SIZE:
UPPER BEARING: 29330+6028 (INSULATED)
LOWER BEARING: 6224C3 [UNINSULATED]
 - UPPER BEARING IS INSULATED. ANY METAL CONNECTIONS TO IT MUST BE INSULATED.
 - LUBRICATION:
UPPER BEARING USE OIL.
OIL VISCOSITY: ISO VG68 [300 SSU/100°F]
OIL QUANTITY: 2.9 GAL.
LOWER BEARING USE GREASE. [MOBIL POLYREX EM]
 - ROTATION: COUNTER-CLOCKWISE [VIEW FROM TOP].
 - WITH NON-REVERSE RATCHET MECHANISM.
 - APPROXIMATE WEIGHT: 5780
 - DOWNTHRUST: 30,100 LBS (L10-8800HRS)
 - REED FREQUENCY: 34 HZ
 - SPACE HEATER RATED AT 120 VOLT, SINGLE PHASE, 200 WATTS, LEADS TERMINATE IN MAIN LEAD BOX.



SHAFT END
(ENLARGED VIEW)



- (A) OIL FILLER [UPPER BEARING]
- (B) OIL GAUGE [UPPER BEARING]
- (C) OIL DRAIN [UPPER BEARING]
- (D) GREASE INLET [LOWER BEARING]
- (E) GREASE DISCHARGER [LOWER BEARING]
- (F) 4-M20 VERTICAL JACKING HOLES, 90° APART IN MOTOR BASE.
- (G) M10 TAPPED GROUNDING ON FRAME, WITH ONE GROUNDING STUDS & [R38-10] TERMINAL LOCATED AS SHOWN.

DATE DEC 08 2016	OUTLINE DIMENSIONS	
VSKP7004	3-PHASE INDUCTION MOTOR	
DWG NO. 4B040L498	REV:00	

DWN.	Y. YANG	JUN.03.2015
CHKD.	R. LEE	JUN.03.2015
APPD.	C. LIU	JUN.03.2015



6

5

4

3

2

1